

# Sit-n-Scoot Tractor assembly instructions



Ages 1½ years +

**JOHN DEERE**

LICENSED PRODUCT

## ADULT ASSEMBLY IS REQUIRED

IMPORTANT: This Sit-n-Scoot Tractor requires assembly by a capable adult. This instruction sheet has been designed in a step by step order, for correct and easy assembly, please follow the sequence. Save all packaging material until assembly is completed. Be sure all parts are assembled securely. Check the tractor before it is ridden.

BEFORE ALLOWING YOUR CHILD TO RIDE, BE SURE:

1. Front and rear wheels rotate smoothly, and that there are no visible defects.
2. Check that all parts are assembled correctly and are not faulty.
3. DO NOT ALLOW YOUR CHILD TO RIDE WITHOUT ADULT SUPERVISION.

### WARNING: ADULT ASSEMBLY REQUIRED

This product should, at all times, be used by the child under direct supervision of an adult and should not be used on or near roads, steps, stairways, hills, or pool areas.



Questions? Comments?  
Contact Customer Care:

Question? Commentaires?  
Contactez le service  
aux consommateurs:

[www.ertl.com](http://www.ertl.com)

35189



## NO Tools Required

## Parts list:

letter	description	quantity
A	Body	1
B	Steering Wheel	1
C	Front Axle	1
D	Rear Axle	1
E	Wheels	4
F	Decal Sheet	1

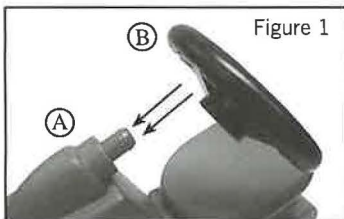


Figure 1

**Step 1:** Snap the steering wheel (B) onto the body (A). See Figure 1.

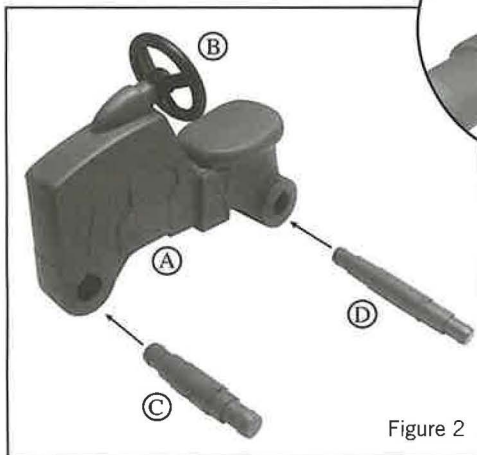


Figure 2

**Step 2:** Insert axles (C) and (D) into the holes on the body (A). See Figure 2.

Be sure to align notch in axle with notch in body to lock the axle.

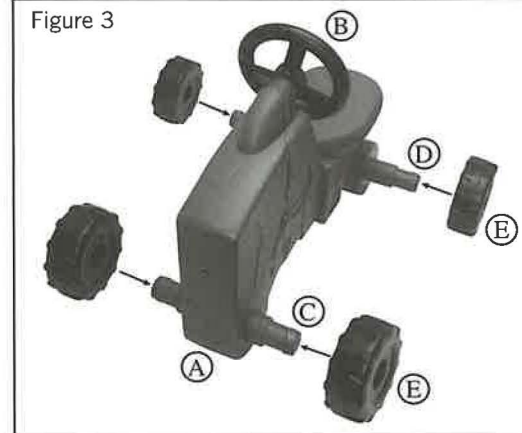


Figure 3

**Step 3:** Locate wheels designated "Inside L" and snap on to left side. Locate wheels designated "Inside R" and snap on to right side. Left and right are determined as if sitting on unit.

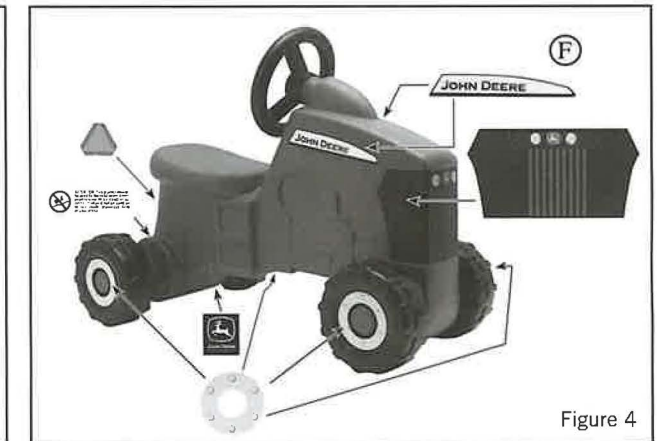


Figure 4

**Step 4:** Apply the decals as shown in diagram. See Figure 4.