

GENERAL CARE

- Regularly inspect all vehicle parts to ensure they are in good working condition.
- Regularly inspect the charger, cord, plug, and other related parts for damage.
- Remove any damaged parts and immediately contact Customer Service for replacement parts. See Service and Repairs on Page 24 for more information.
- DO NOT operate the vehicle if there are any damaged parts.
- Carefully clean the vehicle with a damp cloth and mild soap. Do not get water in or near any electrical parts. Do not wash the vehicle with a hose.
- Store the vehicle indoors or use a tarp to cover it. Keep away from stoves, heaters, or other sources of heat.

FCC Information

This device complies with Part 15 of the FCC Rules. Operation is subject to the following two conditions: (1) this device may not cause harmful interference, and (2) this device must accept any interference received, including interference that may cause undesired operation.

FCC Warning: Changes or modifications to this unit not expressly approved by the party responsible for compliance could void the user's authority to operate the equipment.

FCC NOTE: This equipment has been tested and found to comply with the limits for a Class B digital device, pursuant to Part 15 of the FCC Rules. These limits are designed to provide reasonable protection against harmful interference in a residential installation.

This equipment generates, uses and can radiate radio frequency energy and, if not installed and used in accordance with the instructions, may cause harmful interference to radio communications. However, there is no guarantee that interference will not occur in a particular installation. If this equipment does cause harmful interference to radio or television reception, which can be determined by turning the equipment off and on, the user is encouraged to try to correct the interference by one or more of the following measures:

- Reorient or relocate the receiving antenna.
- Increase the separation between the equipment and receiver.
- Connect the equipment into an outlet on a circuit different from that to which the receiver is connected.
- Consult the dealer or an experienced radio/TV technician for help.
- Check the state or local requirements for the product before using the product.

Caution: Changes or modifications not expressly approved by the party responsible for compliance could void the user's authority to operate the equipment.

© TOMY
Oak Brook, Illinois 60523, USA
All Rights Reserved.
Made in China.
Actual product styling and colors may vary.
Please retain this packaging for future reference.
46402 150305



JOHN DEERE
LICENSED PRODUCT

TOMY®

3+

SKU# 46402

EN



JOHN DEERE



JOHN DEERE GATOR Owner's Manual and Assembly Instructions

Read and understand the entire manual before assembly and operation. The vehicle must be assembled by an adult who has read and understands the instructions. Please retain this manual for future reference.

INTRODUCTION

Thank you for purchasing this vehicle from TOMY. Please read the instruction guide carefully before assembly and allowing the child to operate the vehicle. Please contact TOMY International customer service with any questions.
Hours: 8 AM – 5PM (CST), Monday – Friday
Phone: 1-800-704-8697

SPECIFICATIONS:

BATTERY	6V 7AH
MOTOR	6V 15W
AGE	3 Years and UP
MAX WEIGHT	77 lbs. (35 kg)
PRODUCT SIZE	41.34 x 23.23 x 20.87 in. (1050x590x530 mm)
SPEED	2.5MPH
RECHARGE TIME	8-12 Hours
TYPICAL RUNTIME	1-2 Hours
CHARGER OUTPUT	DC 7.0V0.7A

IMPORTANT!

YOU MUST CHARGE THE BATTERY FOR 24 HOURS BEFORE FIRST USE!

Charge the battery after each use.

Charge the battery at least once a month, even if the vehicle is not in use.

DO NOT RETURN THIS ITEM TO THE STORE!

Call Customer Service if you need assistance or replacement parts.

1-800-704-8697

Read this entire manual to ensure proper assembly and safe operation of the vehicle.

SAFETY



WARNING: SAFETY RIDING RULES

The user must follow all safety rules and guidelines, or serious injury or death may occur to the user.

- Always use common sense and safe practices when using the vehicle. The user must be at least 3 years old and weigh no more than 75 lbs.
- This product contains small parts that are for adult assembly only. Keep small children away when assembling. Remove and dispose of all protective material and plastic bags before assembly.
- Riders must always wear a fitted helmet that complies with U.S. Consumer Product Safety Commission (CPSC) Standard CFR 1203.
- Only sit on the seat in the vehicle.
- Do not allow more than one rider.
- Do not overload the vehicle. Do not remove the weight restriction decals.
- Do not pull the vehicle with another vehicle or similar device.
- Keep body parts such as hands, legs, hair and clothing away from moving parts. Moving parts can cause serious injury.
- Always wear shoes in the vehicle.
- Do not operate near streets or motor vehicles.
- Do not operate near drop-offs such as steps, steep inclines or hills. Operate on relatively level ground.
- Do not operate near water, swimming pools or other fluids.
- Do not operate in dangerous weather conditions such as rain or snow.
- Do not operate near loose dirt, mud, sand or fine gravel.
- Do not operate near flammable vapors (gasoline, paint thinner, acetone, etc.).
- Always use the vehicle in a safe, secure environment with adult supervision.



ATTENTION:

This product should, at all times be used by the child under direct supervision of an adult and should not be used on or near roads, stairways, hills or pool areas.



WARNING:

To reduce risk of injury, keep small parts out of reach of children. This product must be assembled by an adult prior to use.

SAFETY



WARNING: BATTERY SAFETY

- Battery posts, terminals and related accessories contain lead and lead compound (acid) chemicals known to the state of California to cause cancer, reproductive harm, and are toxic and corrosive. DO NOT open the battery.



- Contact exposure to battery leakage (lead acid) may cause serious injury. Immediately contact your doctor if exposure occurs. If the chemical is on the skin, flush immediately with cool water for 15 minutes. If the chemical is swallowed, immediately give the person water or milk. Do not give water or milk if the person is vomiting or has decreased alertness. Do not induce vomiting.



- Tampering with or modifying the electric circuit system may cause shock, fire or explosion. It could permanently damage the system. Keep the charger housing closed to prevent exposed wiring, which may cause electric shock.

IMPORTANT: Before using the vehicle for the first time, the battery must be charged for a full 24 hours (no more than 30 hours).



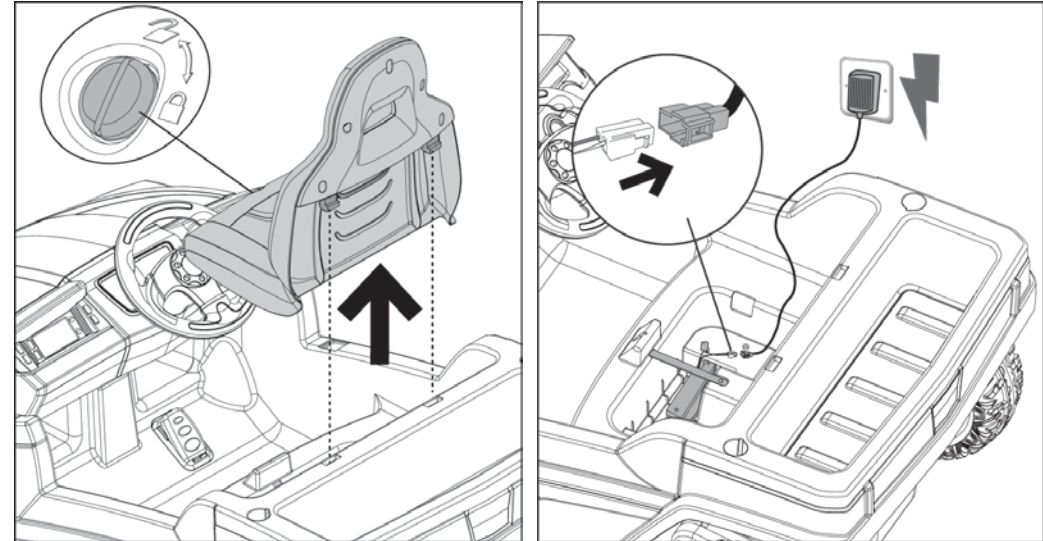
WARNING: ADULT SUPERVISION REQUIRED

- Before using the vehicle, the rider must understand the vehicle controls and safety issues.
- It is the responsibility of the adult to educate the child and to determine if the child is capable of understanding the vehicle controls.
- An adult must ALWAYS directly supervise the use of this vehicle.
- NEVER leave a child unsupervised in the vehicle.

CHARGING INSTRUCTIONS

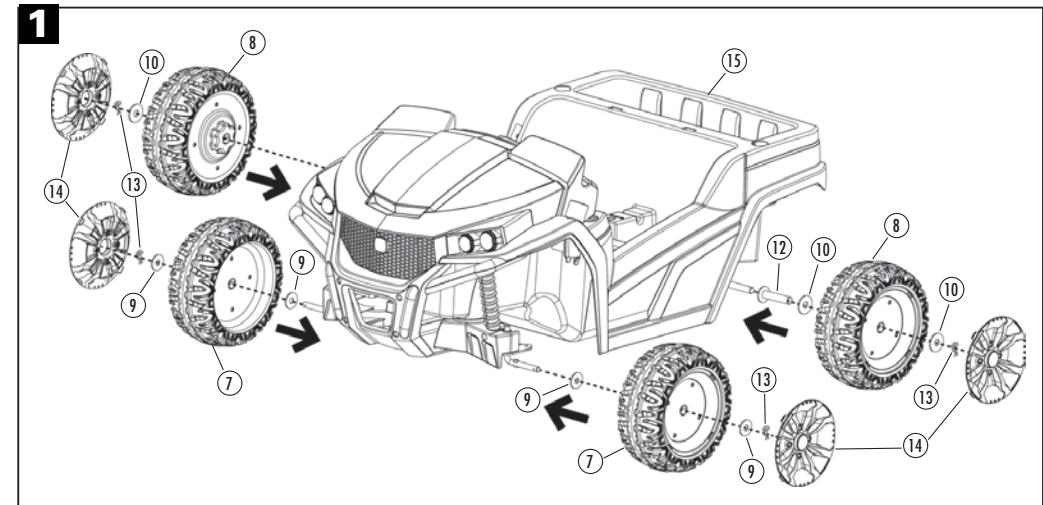
YOU MUST CHARGE THE BATTERY FOR 24 HOURS BEFORE THE FIRST USE!

ONLY AN ADULT SHOULD HANDLE THE BATTERY AND CHARGER.

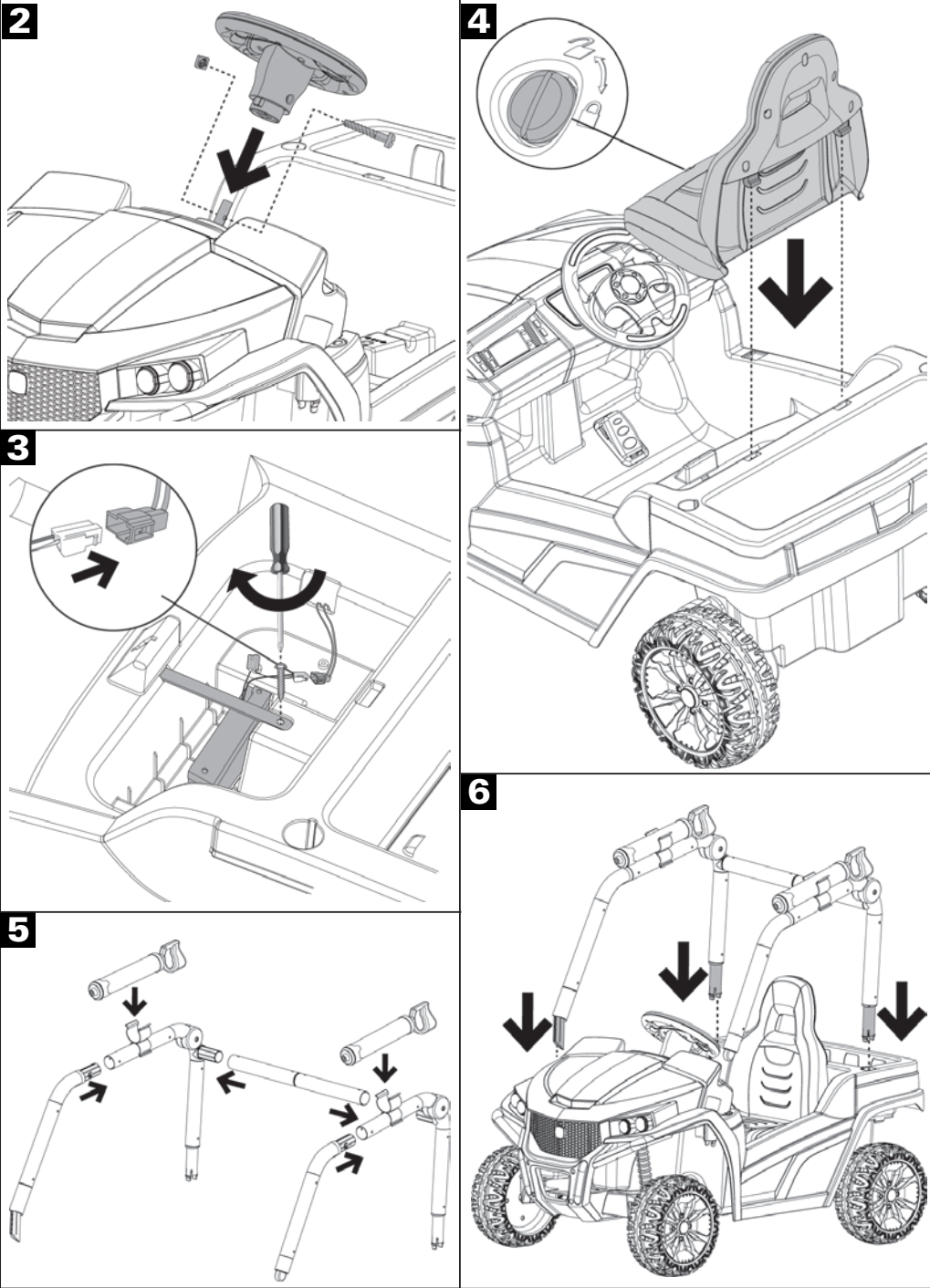


NOTE: It is not necessary to remove the battery for charging. However, if the battery does not reach the outlet, it can be removed for charging. For battery removal, see step 3.

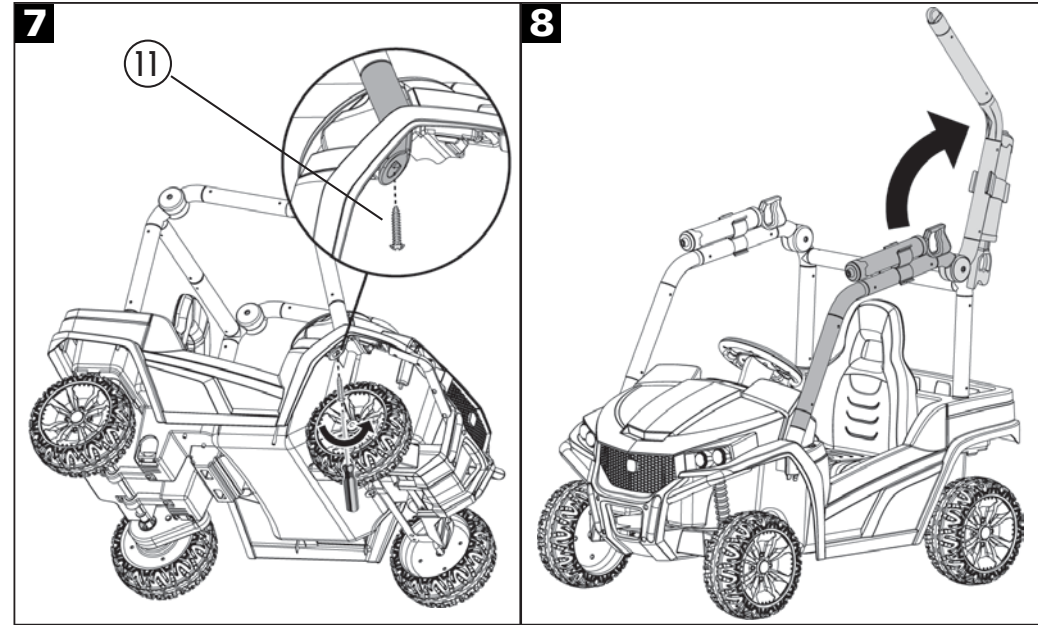
ASSEMBLY



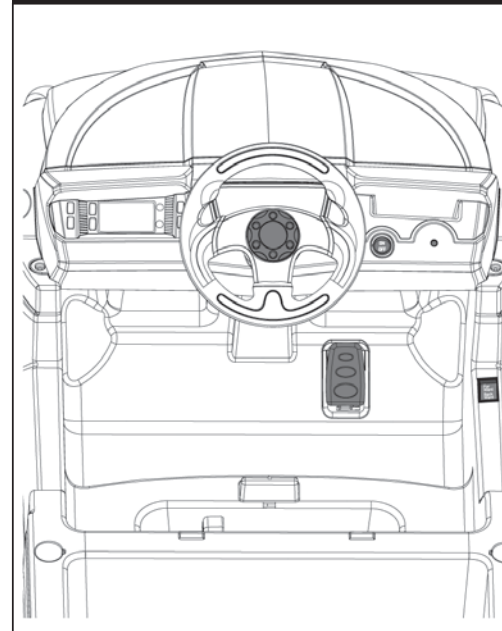
ASSEMBLY



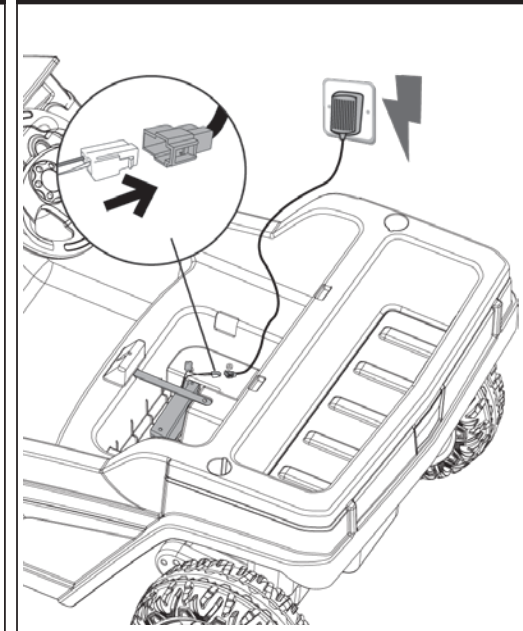
ASSEMBLY



OPERATION

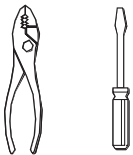


CHARGING

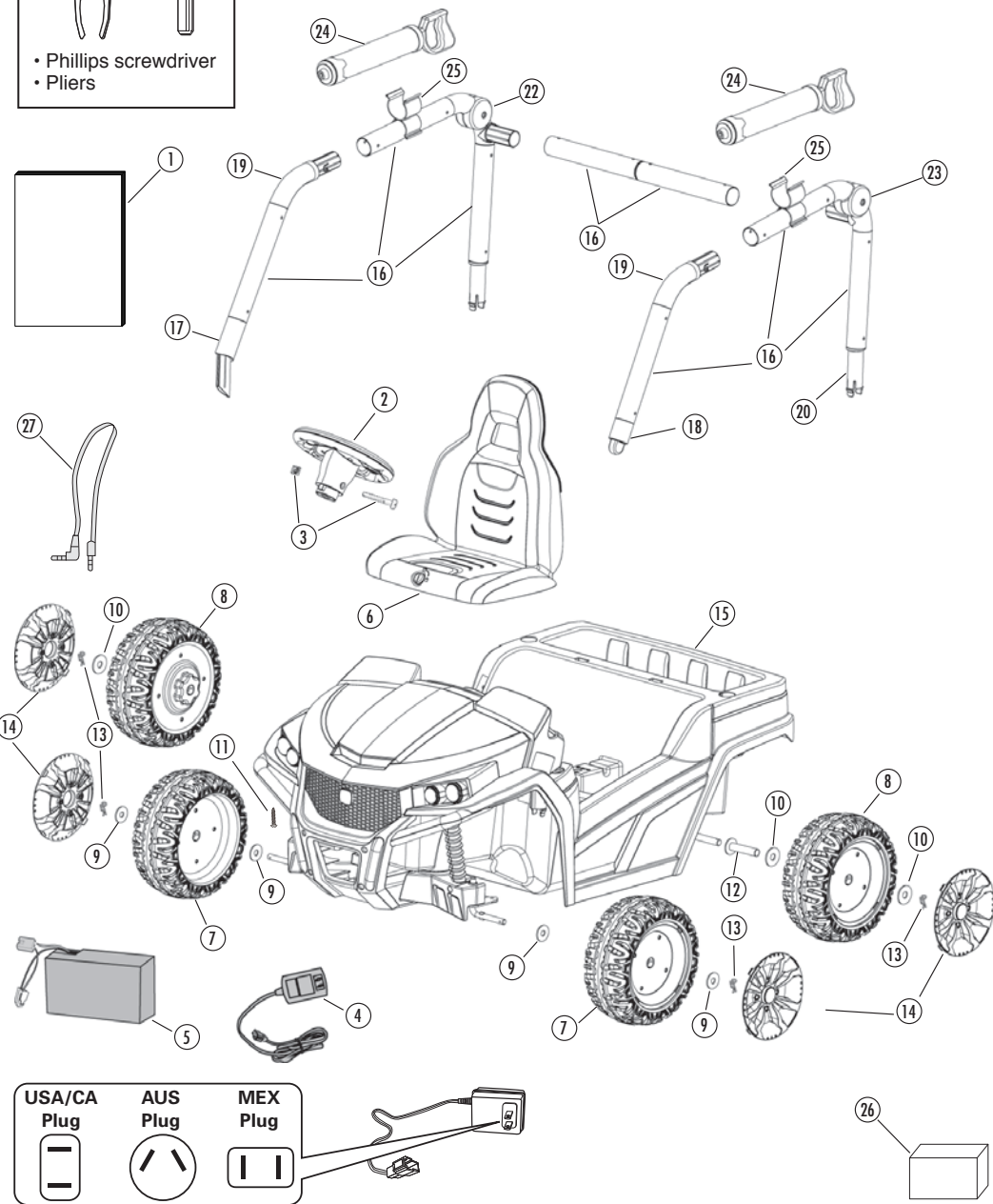


PARTS LIST

Not Included:



- Phillips screwdriver
- Pliers



Ref. No.

Part No.

Description

1.	099-46402	Manual (1)
2.	P4640201	Steering Wheel Assembly (1)
3.	P4640202	Steering Wheel Nut & Bolt (1)
4.	P4640203	Battery Charger (1)
5.	P4640204	Battery (1)
6.	P4640205	Seat (1)
7.	P4640206	Front Wheels (2)
8.	P4640207	Rear Wheels (2)
9.	P4640208	Front Thick Washer (10 x 2 mm) (4)
10.	P4640209	Rear Thick Washer (12 x 2 mm) (3)
11.	P46402010	Screw (4.2 x 30 mm) (1)
12.	P4640227	Orientation sleeve (1)
13.	P4640212	Snap Pins (4)
14.	P4640213	Rims (4)
15.	P4640214	Car Body (1)
16.	P4640215	Roll Cage Tube (8)
17.	P4640216	Roll Cage Front Right Snap Insert (1)
18.	P4640217	Roll Cage Front Left Snap Insert (1)
19.	P4640218	Roll Cage Front Angle Insert (2)
20.	P4640219	Roll Cage Rear Snap Insert (2)
21.	P4640220	Roll Cage Rear Tube Coupler (1)
22.	P4640221	Roll Cage Rear 3-Way Connector (1)
23.	P4640222	Roll Cage Rear 3-Way Pivot Connector (1)
24.	P4640223	Water Cannon (2)
25.	P4640224	Water Cannon Snap Cradle (2)
26.	P4640225	Hardware Bag (1)
27.	P4640226	MP3 Cable (1)

TROUBLESHOOTING

Completely read through the manual and troubleshooting guide before contacting customer service.

Problem	Potential Cause	Solution
Vehicle does not run	Battery is low	Recharge the battery
	Thermal fuse tripped	Reset fuse
	Loose wires or loose connectors	Ensure the battery connectors are securely attached. If wires are loose, contact Consumer Service for repairs
	Battery is dead	Call Customer Service for replacement battery
	Electrical system is damaged	Call Customer Service for repairs
	Motor is damaged	Call Customer Service for repairs
Vehicle only runs for a short time	Undercharged Battery	Ensure a secure connection when the battery is recharging. Recharge for at least 8-12 hours
	Overcharged battery	Never charge the battery for more than 30 hours
	Battery is old	Replace battery
Vehicle runs slowly	Battery is not fully charged	Ensure a secure connection when the battery is recharging
	Battery is old	Call Customer Service to order replacement battery
	Too much weight on vehicle	Reduce weight on vehicle (77lbs max)
	Harsh conditions	Operate the vehicle on level ground and safe surfaces
Vehicle needs a push to start	Loose wires or loose connectors	Ensure the battery connectors are securely attached. If wires are loose, contact Consumer Service for repairs
	"Dead Spot" on motor	A "dead spot" means electricity is not being delivered to the terminal. Contact Consumer Service for repairs
Difficulty shifting	Attempting to shift while vehicle is moving	Stop the vehicle before shifting
Motor or gear box making grinding noises	Motor or gear damage	Contact Consumer Service for repairs
Battery will not recharge	Charger is not plugged in	Plug in the charger to a functional wall outlet
	Charger is not working	Call Consumer Service for a replacement
	Loose connector or loose adapter	Check that the connectors are securely plugged in to each other
Battery makes bubbling noise while recharging	This is normal	No action required
Charger is warm	This is normal	No action required

MAINTENANCE

Important Battery and Charger Information

- Only an adult who has read and understand the safety warnings may handle and operate the battery and battery charger. Keep away from children.
- Charge the battery for 24 hours before using the vehicle for the first time
- Charge the battery immediately after each use. Charge for at least 8-12 hours, but no more than 20 hours.
- Charge the battery at least once a month, even if the vehicle is not used or stored.
- Never leave the battery in a discharged condition.
- Connect the terminal of the battery and charger, then plug the charger into a 120V AC outlet.
- It is normal for the charger to heat slightly. If the charger rises above 71°C / 160°F, disconnect the charger and call Customer Service for assistance.
- Keep the charger away from water or excessive moisture to prevent short-circuiting.
- Only use the charger specified with the original item. Do not charge the battery with any other charger.
- Do not attempt to recharge non-rechargeable batteries with the original charger.
- Do not replace the battery with any other battery, or the warranty will be voided. If you need a replacement battery, see Page 24 for replacement information.
- Remove damaged batteries from the car immediately. Recycle or dispose of the used batteries responsibly.
- Do not short circuit the supply terminals.
- Do not leave the battery connected in the vehicle for extended periods of time when the vehicle is not being used. Disconnect the battery connector from the engine connector before storing.
- The vehicle is equipped with a thermal fuse to protect the electric circuit. If the vehicle cuts out, turn the vehicle off and on to reset.